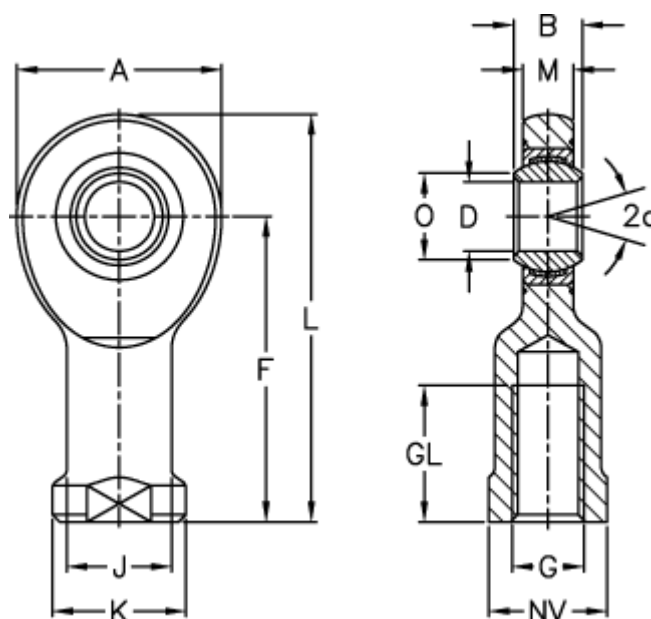


Article number: 03488020

Description: Fluro Rod end EIL 20D-NIRO

Note: 20

Measures



A	= 53	J	= 27.5
a (degrees)	= 9	K	= 35
B	= 16	L	= 103.5
D	= 20	M	= 13
Dynamic drive (kN)	= 54	NV	= 32
F	= 77	O	= 24.2
g	= M20x1,5	Static drive kN	= 45
GL	= 38	Weight	= 350